

## WR-15 Straight Waveguide Section, 0.5"

### Description:

**SWG-15005-FB** is a 0.5" long, V-band straight waveguide section with a WR-15 waveguide and UG-385/U circular flanges. The straight waveguide is manufactured with a precision machining process to ensure high quality and ruggedness. The waveguide is offered to cover the frequency range of 50 to 75 GHz.



### Features:

- Frequency Range: 50 to 75 GHz
- Rugged Waveguide Configuration
- Low Insertion Loss

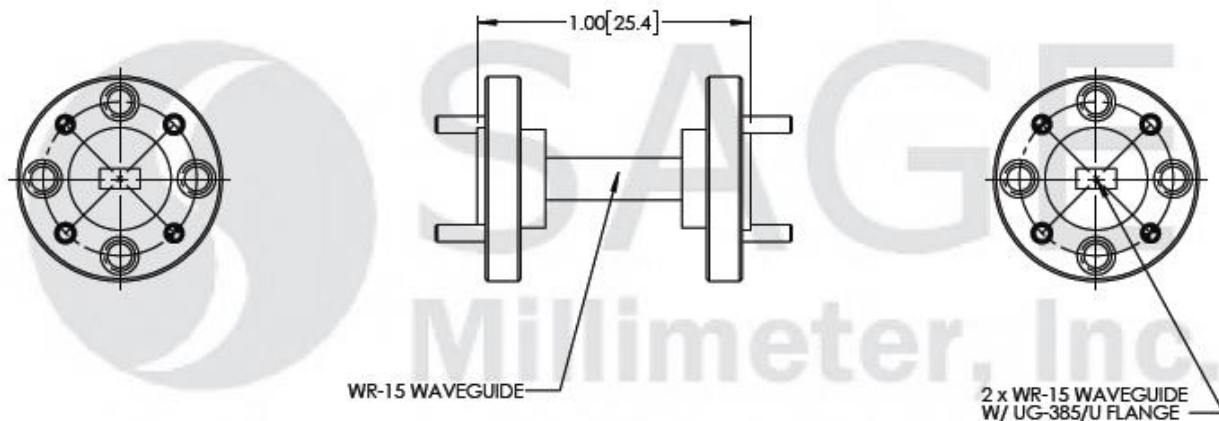
### Applications:

- Test Instrumentation
- Sub-assemblies

### Mechanical Specifications:

Item	Specification
Waveguide Size	WR-15 Waveguide with UG-385/U Flange
Insertion Length	0.5"
Flange Material	Brass
Waveguide Material	Copper
Finish	Gold Plated
Weight	0.6 Oz
Outline	WG-FV

**Mechanical Outline:** (Unless otherwise specified, all dimensions are in inches [millimeters])



### Note:

- SAGE Millimeter, Inc. reserves the right to change the information presented without notice.



www.sagemillimeter.com | 3043 Kashiwa Street, Torrance, CA 90505  
 Phone: 424-757-0168 | Fax: 424-757-0188 | Email: sales@sagemillimeter.com