



0.100" Square to 0.110" Circular Waveguide Mode Transition, Compact

Description:

Model SWT-100110-SB-C-QC is a compact 0.100" Square Waveguide to 0.110" Circular Waveguide mode transition. The mode transition is manufactured by either EDM machining or electro-forming techniques to ensure high accuracy and a quality surface finish. The transition only induces nominal insertion loss and offers a return loss of 25 dB or better. The nominal operating frequency is 75 to 110 GHz.



Features:

- Rugged Waveguide Configuration
- Low Insertion Loss
- Instrumentation Grade

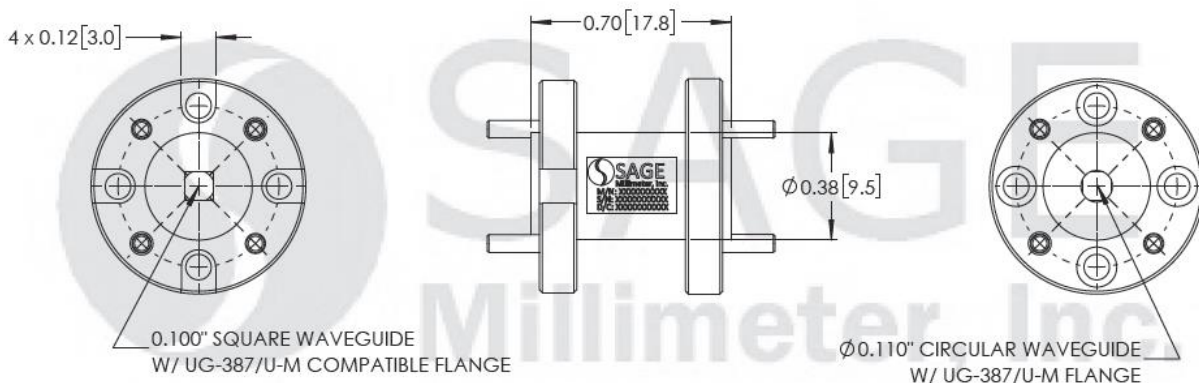
Applications:

- Test Labs
- Test Instrumentation
- Sub-assemblies

Mechanical Specifications:

Item	Specifications
Waveguide Size	0.100" Square Waveguide with UG-383/U Compatible Flange
Waveguide Size	0.110" Circular Waveguide with UG-383/U Compatible Flange
Material	Aluminum
Finish	Gold Plated
Weight	0.35 Oz
Insertion Length	0.70"
Outline	WT-WSC-100-110-C

Mechanical Outline: (Unless otherwise specified, all dimensions are in inches [millimeters])



Note:

- SAGE Millimeter, Inc. reserves the right to change the information presented without notice.
- Other mechanical configurations are available under different model numbers.



www.sagemillimeter.com | 3043 Kashiwa Street, Torrance, CA 90505
 Phone: 424-757-0168 | Fax: 424-757-0188 | Email: sales@sagemillimeter.com