



Ka-Band Waveguide to K Connector Adapter, Non-Standard UBR320 Flange, End Launch

Description:

Models **SWC-28KF-E1-U320** and **SWC-28KM-E1-U320** are end launch (180°) Ka-Band waveguide to coax adapters with a UBR320 flange that cover the frequency range of 26.5 to 40 GHz. They are designed and manufactured for instrumentation grade quality but offered at a commercial grade price, allowing for an efficient transition between the rectangular waveguide and 2.92 mm (K) coax connector.



Features:

- Full Waveguide Band Coverage
- Lower Insertion Loss and High Return Loss
- Instrumentation Grade
- DC Short Circuit

Applications:

- Test Lab
- Instrumentations
- Sub-assemblies

Electrical Specifications:

Parameter	Minimum	Typical	Maximum
Frequency	26.5 GHz		40.0 GHz
Insertion Loss		0.25 dB	
Return Loss		20 dB	
Power Handling			50 W (CW)
Specification Temperature		+25 °C	
Operating Temperature	-40 °C		+85 °C

Mechanical Specifications:

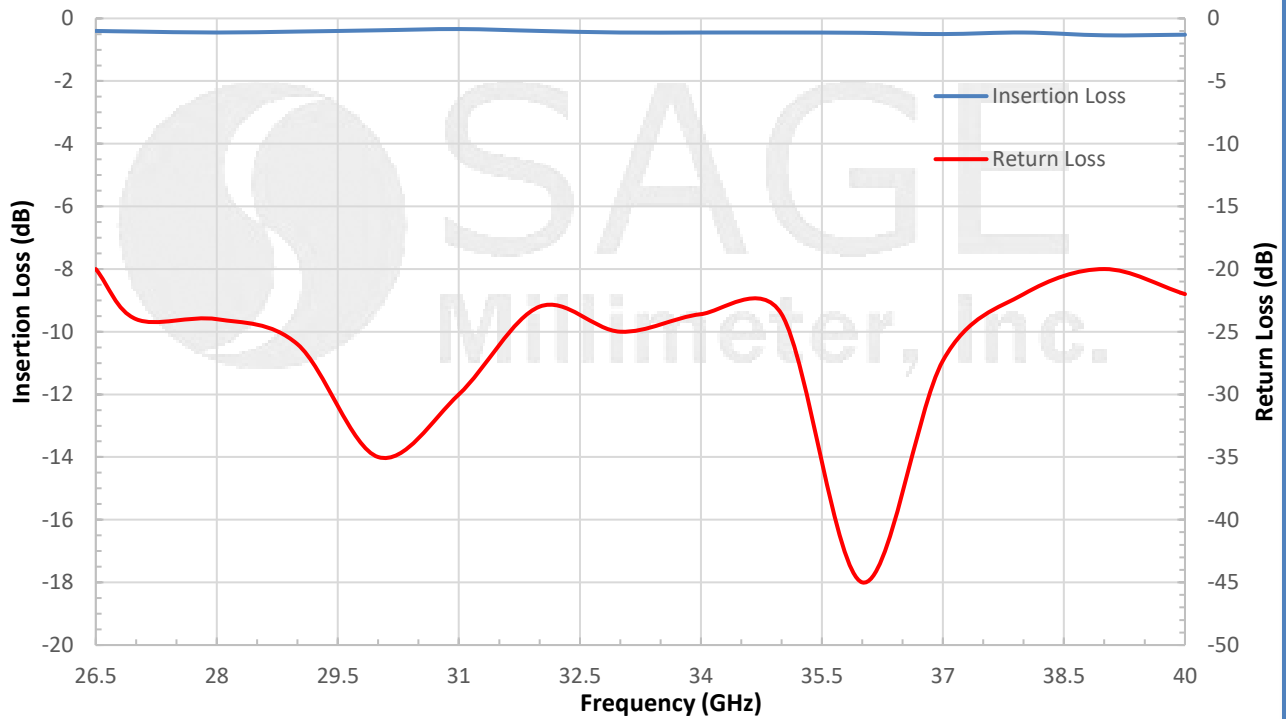
Item	Specification
Waveguide	WR-28 with Non-Standard UBR320 Flange
Coaxial	2.92 mm (K) Female for Model Number: SWC-28KF-E1-U320
Coaxial	2.92 mm (K) Male for Model Number: SWC-28KM-E1-U320
Housing Material	Aluminum
Finish	Gold Plated
Weight	0.2 Oz
Size	0.86" (L) x 0.75" (S) for Model Number: SWC-28KF-E1-U320
Size	0.99" (L) x 0.75" (S) for Model Number: SWC-28KM-E1-U320
Outline	WC-AE-U320



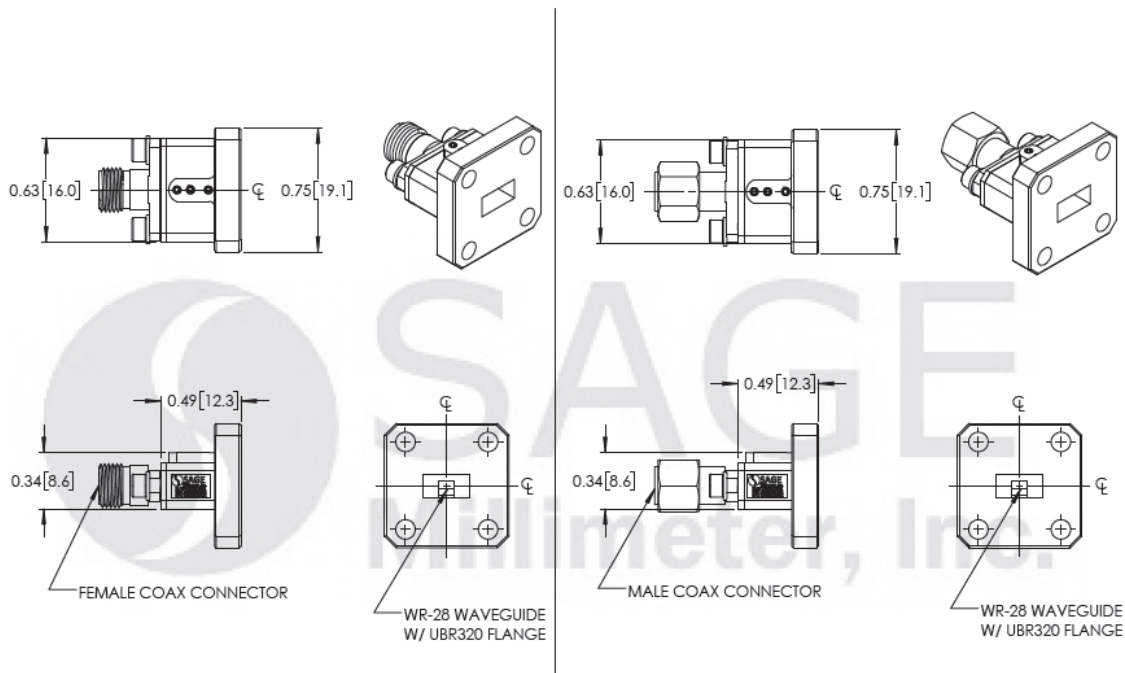


Ka-Band Waveguide to K Connector Adapter, Non-Standard UBR320 Flange, End Launch

Typical Insertion Loss and Return Loss vs. Frequency (Back to Back)



Mechanical Outline: (Unless otherwise specified, all dimensions are in inches[millimeters])





Ka-Band Waveguide to K Connector Adapter, Non-Standard UBR320 Flange, End Launch

Note:

- All data presented is collected from a sample lot, actual data may vary unit to unit.
- All testing was performed under 25°C case temperature.
- SAGE Millimeter, Inc. reserves the right to change the information presented without notice.

Caution:

- Any foreign objects in the waveguide will cause performance degradation and may damage the adapter.
- Proper torque, 8.0 ± 0.15 inch-pounds (0.90 ± 0.02 Nm), should be applied. **SAGE Millimeter torque wrench, model SCH-08008-U3, is highly recommended.**

