



WR-62 to Circular Waveguide Mode Transition, 0.500" Diameter

Description:

Model SWT-62500-SA is a WR-62 to 0.500" diameter circular waveguide mode transition. The mode transition is manufactured by either EDM machining or electro-forming techniques to ensure high accuracy and a quality surface finish. The transition only induces a fraction of a dB insertion loss and offers a VSWR of 1.05:1 or better. The nominal operating frequency is 15.9 to 18.0 GHz. The dominate mode frequency range can be extended to cover 14.5 to 18.0 GHz.



Features:

- Rugged Waveguide Configuration
- Low Insertion Loss
- Instrumentation Grade

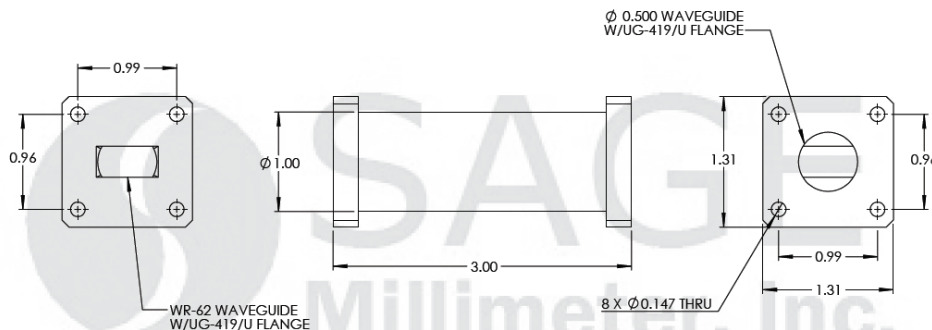
Applications:

- Test Labs
- Test Instrumentation
- Sub-assemblies

Mechanical Specifications:

Item	Specification
Waveguide Size - Rectangular	WR-62 Waveguide with UG-419/U Flange
Waveguide Size - Circular	0.500" Diameter Circular Waveguide with UG-419/U-M Flange
Insertion Length	3.0"
Outline	WT-6C-H
Material	Aluminum
Finishing	Silver Paint (Inner), Paint (Outer)
Weight	3.2 Oz

Mechanical Outline: (Unless otherwise specified, all dimensions are in inches)



Note:

- SAGE Millimeter, Inc. reserves the right to change the information presented without notice.

