



WR-62 to Circular Waveguide Mode Transition, 0.688" Diameter

Description:

Model SWT-62688-SA is a WR-62 to 0.688" diameter circular waveguide mode transition. The mode transition is manufactured by either EDM machining or electro-forming techniques to ensure high accuracy and a quality surface finish. The transition only induces a fraction of a dB insertion loss and offers a VSWR of 1.05:1 or better. The nominal operating frequency is 12.4 to 15.9 GHz. The dominate mode frequency range can be extended to cover 12.0 to 18.0 GHz, if the dominate mode operation is maintained.



Features:

- Rugged Waveguide Configuration
- Low Insertion Loss
- Instrumentation Grade

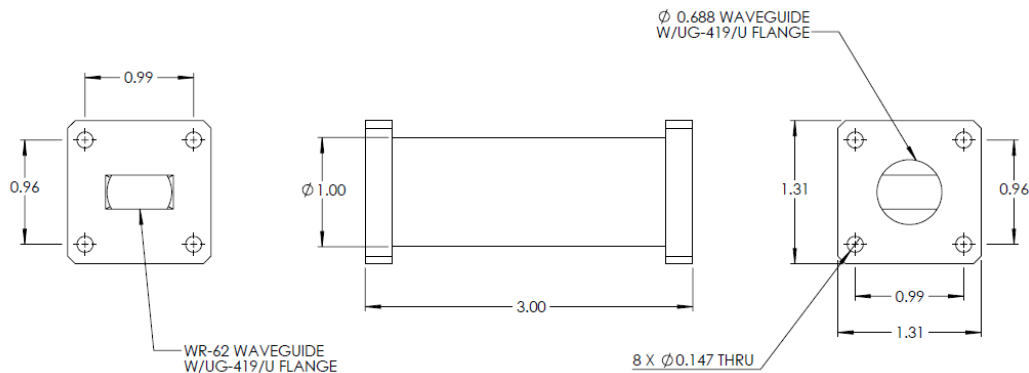
Applications:

- Test Labs
- Test Instrumentation
- Sub-assemblies

Mechanical Specifications:

| Item | Specification |
|------------------|---|
| Waveguide Size | WR-62 Waveguide with UG-419/U Flange |
| Waveguide Size | 0.688" Diameter Circular Waveguide with UG-419/U-M Flange |
| Insertion Length | 3.0" |
| Outline | WT-6C-M |
| Material | Aluminum |
| Finishing | Silver Paint (Inner), Paint (Outer) |
| Weight | 3.5 Oz |

Mechanical Outline: (Unless otherwise specified, all dimensions are in inches)



Note:

- SAGE Millimeter, Inc. reserves the right to change the information presented without notice.



www.sagemillimeter.com | 3043 Kashiwa Street, Torrance, CA 90505
 Phone: 424-757-0168 | Fax: 424-757-0188 | Email: sales@sagemillimeter.com