



## Q-Band Waveguide to 2.4 mm Connector Adapter, Right Angle

### Description:

Models SWC-222F-R1 and SWC-222M-R1 are right angle (90°) Q-Band waveguide to coax adapters that cover the frequency range of 33 to 50 GHz. They are designed and manufactured for instrumentation grade quality but offered at a commercial grade price, allowing for an efficient transition between the rectangular waveguide and 2.4 mm coax connector. The end launch (180°) versions are offered under model numbers SWC-222F-E1 and SWC-222M-E1.



### Features:

- Broad Band Coverage
- Lower Insertion Loss and VSWR
- Instrumentation Grade
- DC Open Circuit

### Applications:

- Test Lab
- Instrumentations
- Sub-assemblies

### Electrical Specifications:

Parameter	Minimum	Typical	Maximum
Frequency Range	33 GHz		50 GHz
Insertion Loss		0.3 dB	
Return Loss		18 dB	
Power Handling			40 W (CW)
Specification Temperature		+25 °C	
Operating Temperature	-40 °C		+85 °C

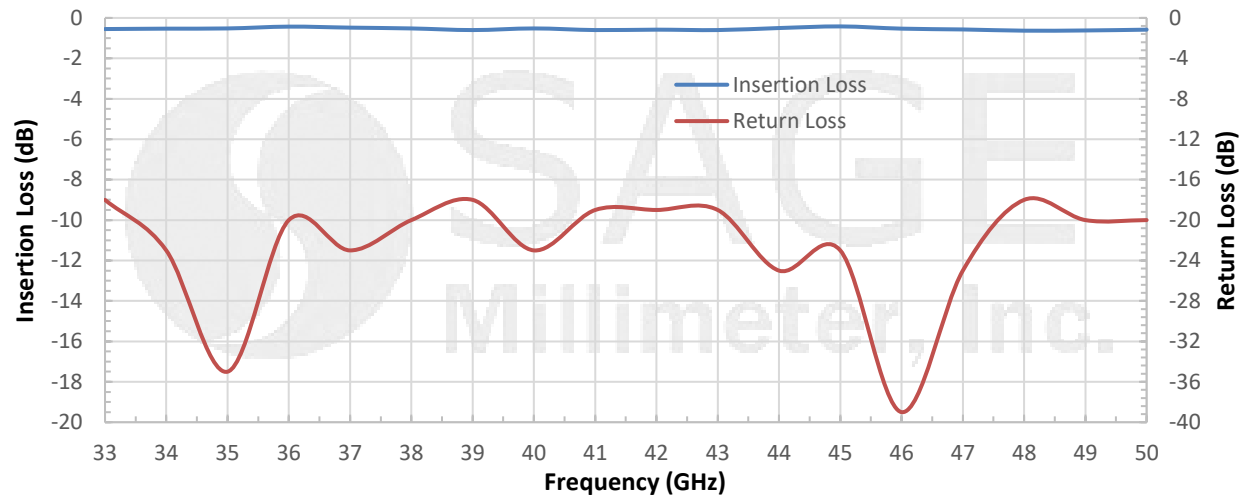
### Mechanical Specifications:

Item	Parameter
Waveguide	WR-22 with UG383/U Flange
Coaxial	2.4 mm Female for Model Number: SWC-222F-R1
Coaxial	2.4 mm Male for Model Number: SWC-222M-R1
Size	1.00" (L) x 1.13" (Ø)
Housing Material	Aluminum
Finish	Gold Plated
Weight	0.4 Oz
Outline	WC-QR

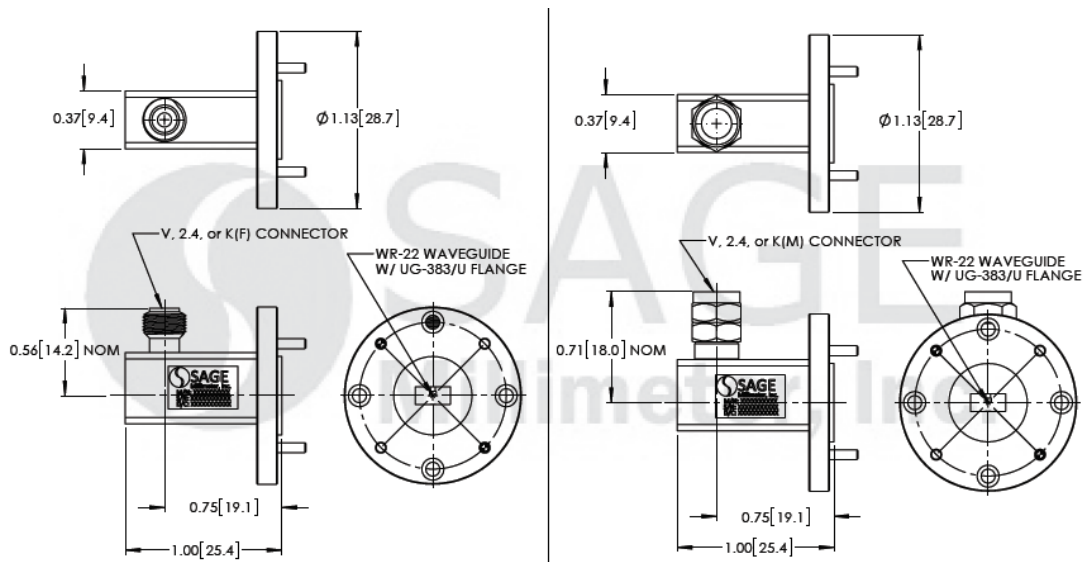


## Q-Band Waveguide to 2.4 mm Connector Adapter, Right Angle

### Typical Insertion Loss and Return Loss vs. Frequency (Back to Back)



### Mechanical Outline: (Unless otherwise specified, all dimensions are in inches)



#### Note:

- All data are presented using a limited sample lot, actual data may vary unit to unit.
- All testing was performed under 25°C case temperature.
- SAGE Millimeter, Inc. reserves the right to change the information presented without notice.

#### Caution:

- Any foreign objects in the waveguide will cause performance degradation and may damage the adapter.
- Proper torque,  $8.0 \pm 0.15$  inch-pounds ( $0.90 \pm 0.02$  Nm), should be applied. **SAGE Millimeter torque wrench, model SCH-08008-U3, is highly recommended.**

