



WR-15 to Circular Waveguide Mode Transition, 0.165" Diameter

Description:

Model SWT-15165-SB is a WR-15 to 0.165" diameter circular waveguide mode transition. The mode transition is manufactured by either EDM machining or electro-forming techniques to ensure high accuracy and a quality surface finish. The transition only induces a fraction of a dB insertion loss and offers a return loss of 32 dB or better. The nominal operating frequency is 50 to 58 GHz. The dominate mode frequency range can be extended to cover 50 to 75 GHz if higher order circular waveguide mode is not excited.



Features:

- Rugged Waveguide Configuration
- Low Insertion Loss
- Instrumentation Grade

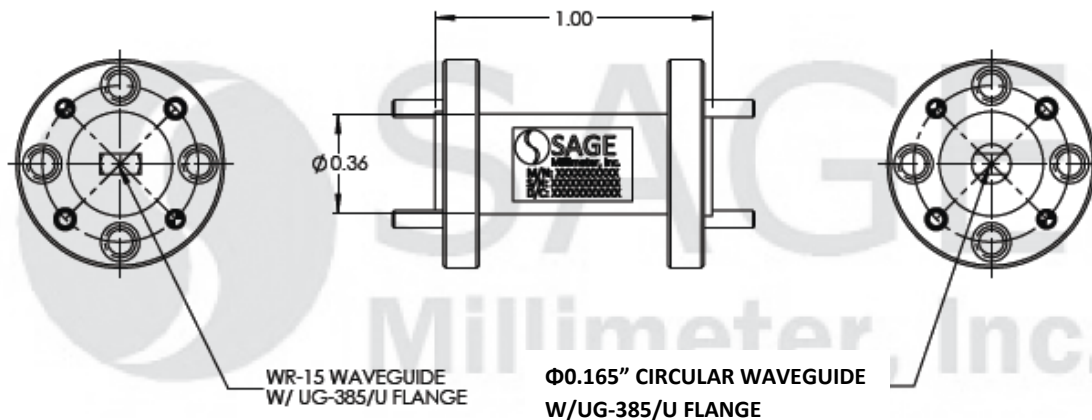
Applications:

- Test Labs
- Test Instrumentation
- Sub-assemblies

Mechanical Specifications:

Item	Specification
Waveguide Size	WR-15 Waveguide with UG-385/U Flange
Waveguide Size	0.165" Diameter Circular Waveguide with UG-385/U-M Flange
Material	Brass
Finish	Gold Plated
Weight	0.8 Oz
Insertion Length	1.0"
Outline	WT-VC-165

Mechanical Outline: (Unless otherwise specified, all dimensions are in inches)



Note:

- SAGE Millimeter, Inc. reserves the right to change the information presented without notice.
- Other mechanical configurations are available under different model numbers.



www.sagemillimeter.com | 3043 Kashiwa Street, Torrance, CA 90505
 Phone: 424-757-0168 | Fax: 424-757-0188 | Email: sales@sagemillimeter.com