

U-Band Waveguide to 1 mm Connector Adapter, End Launch

Description:

Models SWC-191F-E1 and SWC-191M-E1 are end launch (180°) U-Band waveguide to coax adapters that cover the frequency range of 40 to 60 GHz. They are designed and manufactured for instrumentation grade quality but offered at a commercial grade price, allowing for an efficient transition between the rectangular waveguide and 1 mm coax connector. The right angle (90°) versions are offered under model numbers SWC-191F-R1 and SWC-191M-R1.



Features:

- Full Waveguide Band Coverage
- Lower Insertion Loss and VSWR
- Instrumentation Grade
- DC Short Circuit

Applications:

- Test Lab
- Instrumentations
- Sub-assemblies

Electrical Specifications:

Parameter	Minimum	Typical	Maximum
Frequency Range	40 GHz		60 GHz
Insertion Loss		0.4 dB	
Return Loss		15 dB	
Power Handling			40 W (CW)
Specification Temperature		+25 °C	
Operating Temperature	-45 °C		+85 °C

Mechanical Specifications:

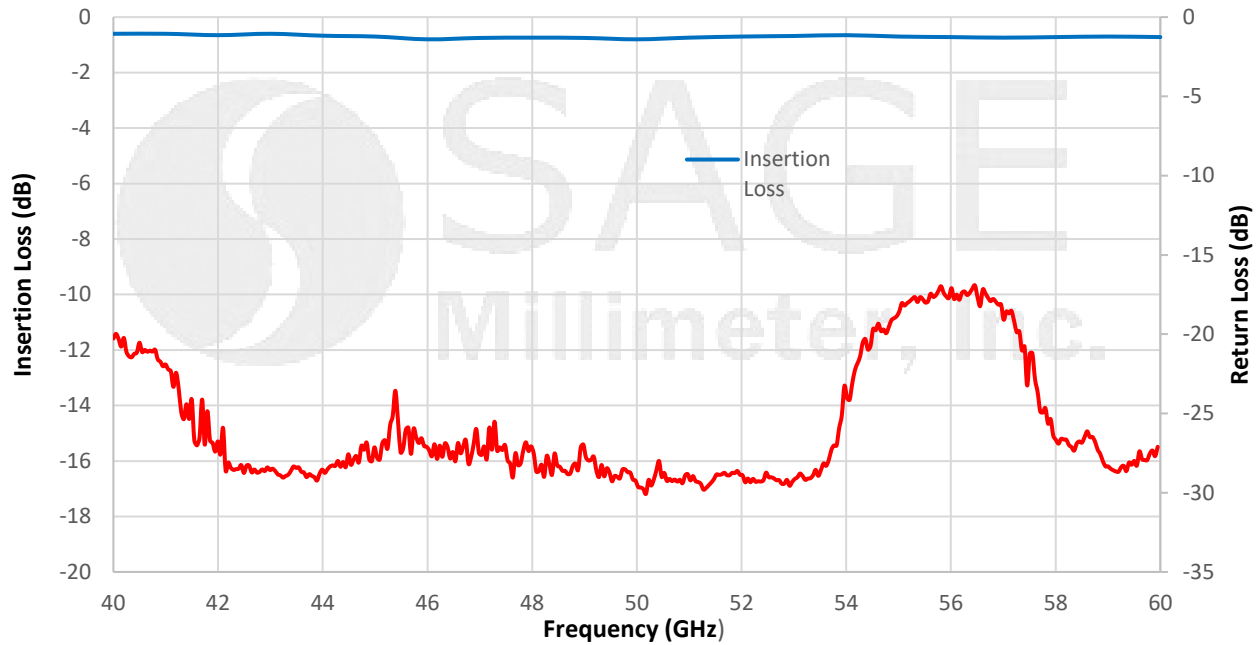
Item	Parameter
Waveguide	WR-19 with UG383/U-M Flange
Coaxial	1 mm Female for Model Number: SWC-191F-E1
Coaxial	1 mm Male for Model Number: SWC-191M-E1
Size	0.40" (L) x 1.13" (Ø)
Housing Material	Aluminum
Finish	Gold Plated
Weight	0.4 Oz
Outline	WC-U1E



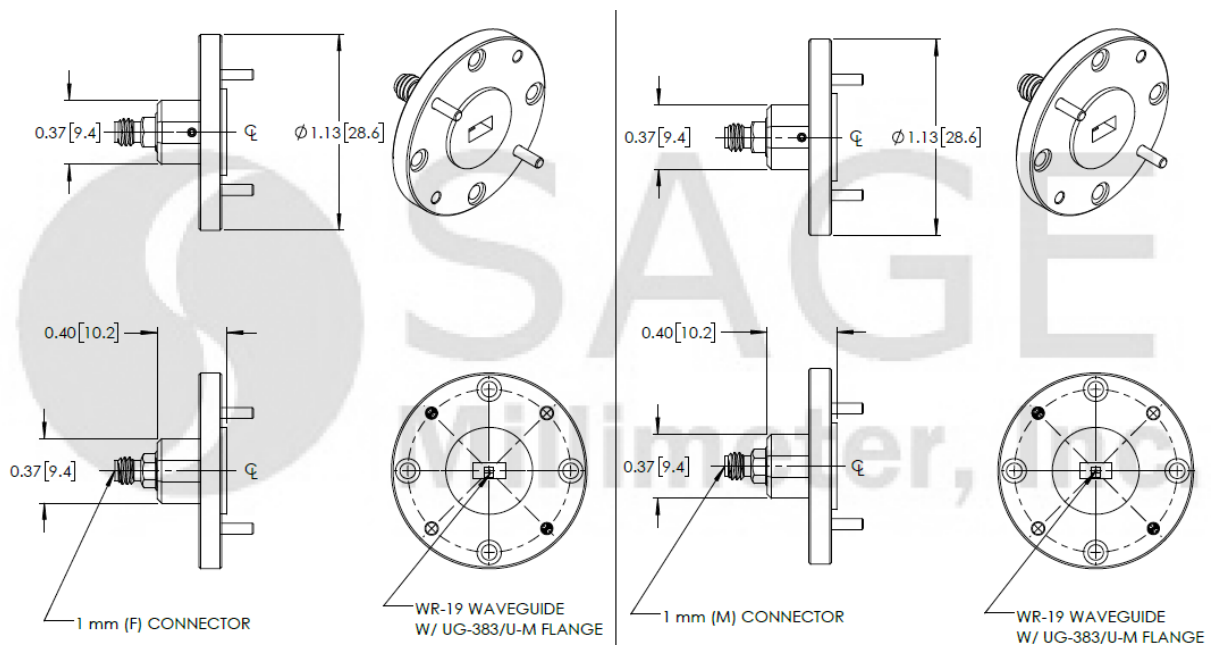


U-Band Waveguide to 1 mm Connector Adapter, End Launch

Typical Insertion Loss & Return Loss vs. Frequency (Back to Back)



Mechanical Outline: (Unless otherwise specified, all dimensions are in inches)



Note:

- All data presented is collected from a sample lot. Actual data may vary unit to unit.
- All testing was performed under +25°C case temperature.
- SAGE Millimeter, Inc. reserves the right to change the information presented without notice.



U-Band Waveguide to 1 mm Connector Adapter, End Launch

Caution:

- Any foreign objects in the waveguide will cause performance degradation and may damage the adapter.
- Proper torque, 4.0 ± 0.15 inch-pounds (0.45 ± 0.02 Nm), should be applied. **SAGE Millimeter torque wrench, model SCH-06004-S1, is highly recommended.**

