



WR-06 to Circular Waveguide Mode Transition, 0.075" Diameter

Description:

Model SWT-06075-SB is a WR-06 to 0.075" diameter circular waveguide mode transition. The mode transition is manufactured by either EDM machining or electro-forming techniques to ensure high accuracy and a quality surface finish. The transition only induces a fraction of a dB insertion loss and offers a return loss of 26 dB or better. The nominal operating frequency is 112 to 125 GHz. The dominate mode frequency range can be extended to cover 110 to 170 GHz if higher order waveguide mode is not excited.



Features:

- Rugged Waveguide Configuration
- Low Insertion Loss
- Instrumentation Grade

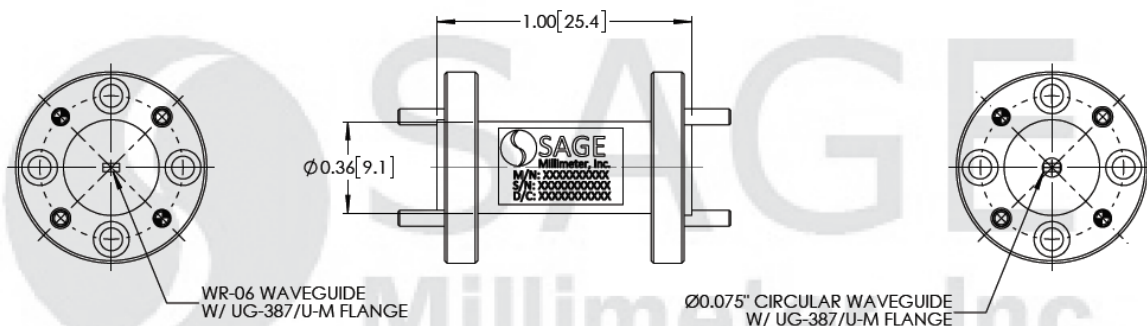
Applications:

- Test Labs
- Test Instrumentation
- Sub-assemblies

Mechanical Specifications:

Item	Specification
Waveguide Size - Rectangular	WR-06 Waveguide with UG-387/U-M Flange
Waveguide Size - Circular	0.075" Diameter Circular Waveguide with UG-387/U-M Flange
Material	Brass
Finish	Gold Plated
Weight	0.8 Oz
Insertion Length	1.0"
Outline	WT-DC-075

Mechanical Outline: (Unless otherwise specified, all dimensions are in inches [millimeters])



Note:

- SAGE Millimeter, Inc. reserves the right to change the information presented without notice.



www.sagemillimeter.com | 3043 Kashiwa Street, Torrance, CA 90505
 Phone: 424-757-0168 | Fax: 424-757-0188 | Email: sales@sagemillimeter.com

WR-06 to Circular Waveguide Mode Transition, 0.075" Diameter

- Other mechanical configurations are available under different model numbers.

