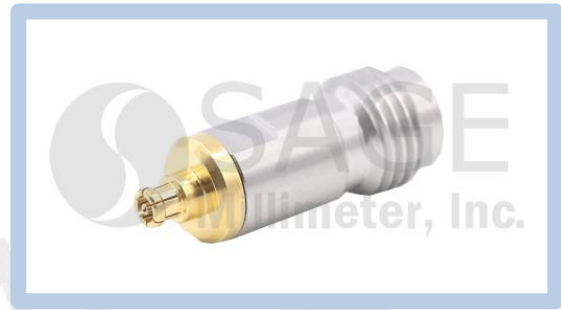


## 2.92 mm (F) to SMPM (F) Coaxial Adapter

### Description:

**Model SCT-KFDF-UB** is a 2.92 mm female to SMPM (GPPO) female coaxial adapter that covers the frequency range of DC to 40 GHz. This coaxial adapter offers efficient transitioning between the coaxial connectors with a high return loss and typical insertion loss of 0.6 dB. The impedance of the adapter is 50 Ohms. Other configurations are available under different model numbers.



### Features:

- Instrumentation Grade
- High Return Loss
- Low Insertion Loss

### Applications:

- Test Lab
- Sub-assemblies

### Electrical Specifications:

Parameter	Minimum	Typical	Maximum
Frequency	DC		40 GHz
Insertion Loss		0.6 dB	
Return Loss		18 dB	
Impedance		50 Ω	
Specification Temperature		+25 °C	
Operating Temperature	-40 °C		+85 °C

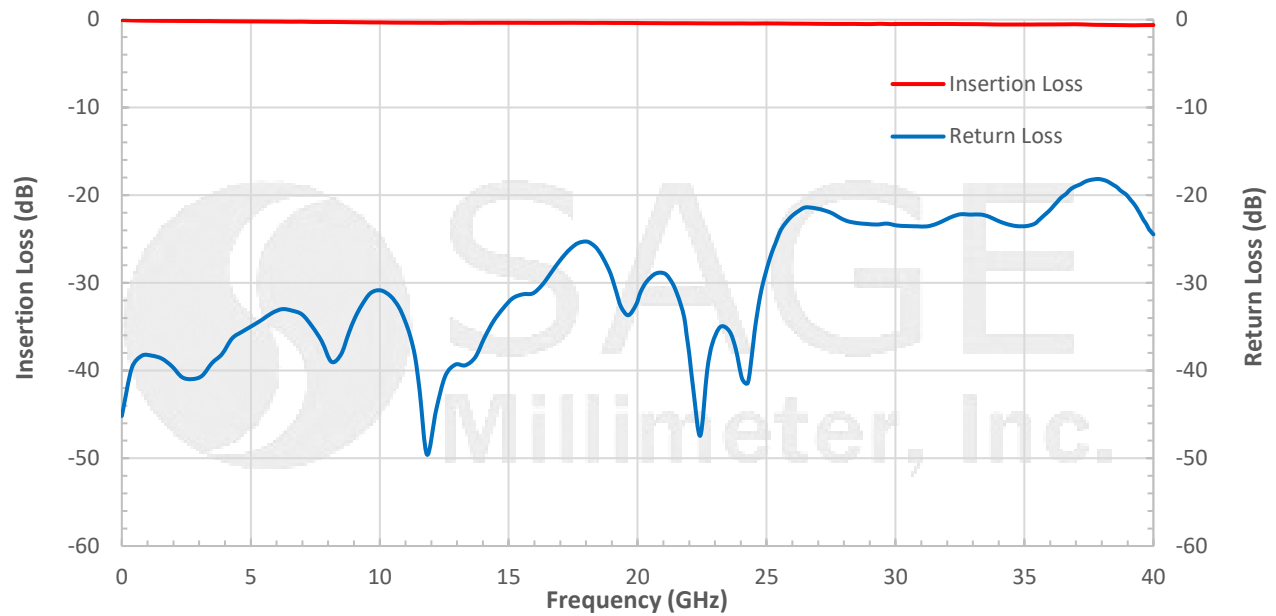
### Mechanical Specifications:

Item	Specification
Connector 1 Type	2.92 mm Female
Connector 2 Type	SMPM Female
Body Material	Stainless Steel
Body Finish	Passivated
Contact Material	Beryllium Copper
Insulator Material	PEI
Weight	0.09 Oz (2.5 Grams)
Length	0.65"
Outline	CT-KFDF-LN1

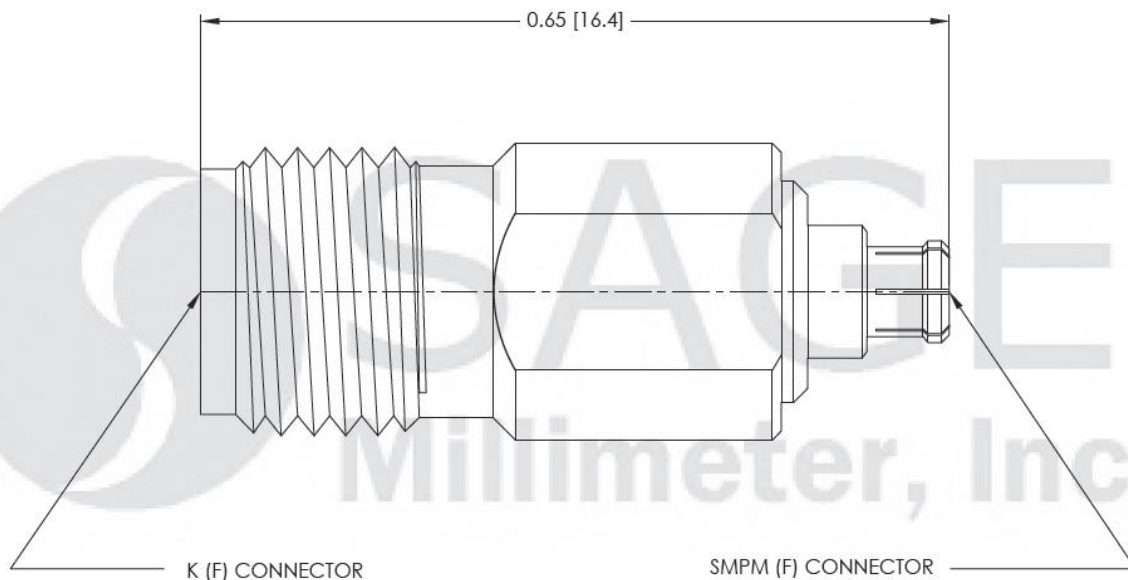


## 2.92 mm (F) to SMPM (F) Coaxial Adapter

### Typical Performance vs. Frequency



**Mechanical Outline:** (Unless otherwise specified, all dimensions are in inches [millimeters])



**Note:**

- All data presented is collected from a sample lot. Actual data may vary unit to unit, slightly.
- All testing was performed under +25 °C case temperature.
- SAGE Millimeter, Inc. reserves the right to change the information presented without notice.

**Caution:**

- Proper torque,  $8.0 \pm 0.15$  inch-pounds ( $0.90 \pm 0.02$  Nm), should be applied. **SAGE Millimeter torque wrench, model SCH-08008-S1, is highly recommended.**



www.sagemillimeter.com | 3043 Kashiwa Street, Torrance, CA 90505  
 Phone: 424-757-0168 | Fax: 424-757-0188 | Email: sales@sagemillimeter.com