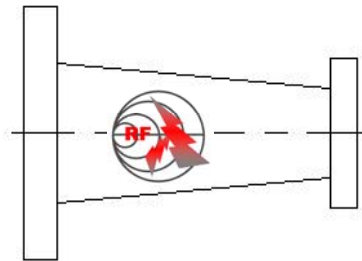
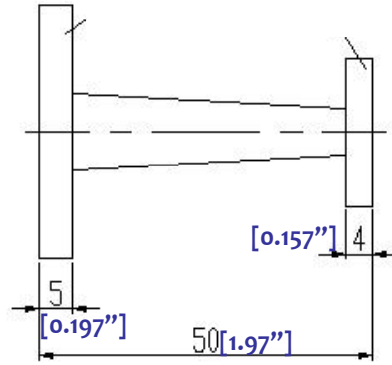
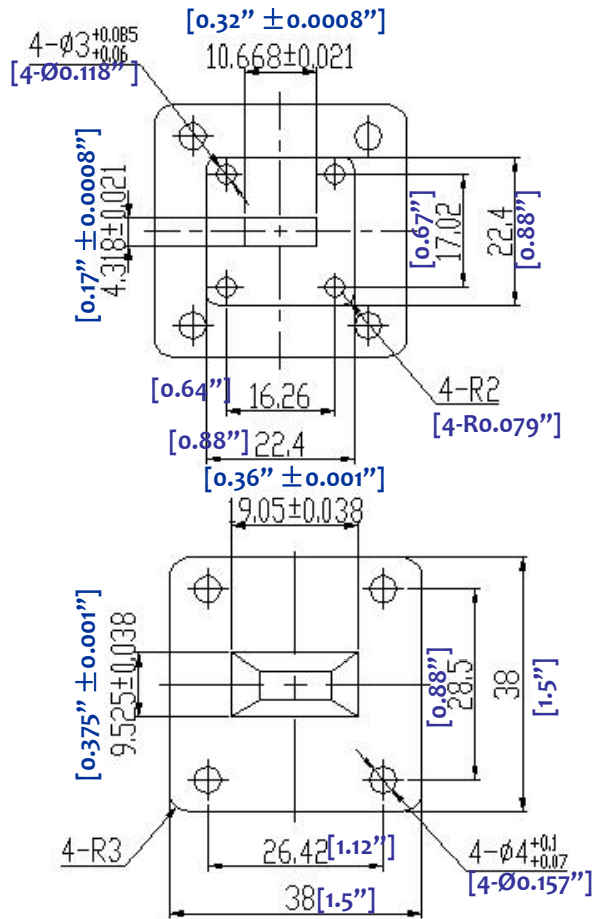


WR42 WAVEGUIDE 100W HIGH POWER TERMINATION - RFWT42C



1.0 Mechanical Specifications		
1.1	Waveguide type	Rectangular Waveguide WR42
1.2	Flange type	CPRF, COVER
1.3	Flange Holes	Through
1.4	Basis-material	Alloyed Cuprum
1.5	Internal Body Finish	Silver Plated chromate or conversion
1.6	External Body Finish	Body painted with gray/black epoxy enamel

2.0 Environment specifications		
2.1	Operation Temp.	-40°C~+85°C
2.2	Storage Temp.	-50°C~+125°C
2.3	Altitude	45000 ft
2.4	Vibration	10g rms (15 degree 2KHz)
2.5	Humidity	100% RH at 35c, 95%RH at 40 deg c
2.6	Shock	20G for 11msc

3.0 Electrical Specifications		
3.1	Frequency Range	18~26.5GHz
3.2	Average Power	100W (CW)
3.5	VSWR	1.15:1 (max)

PAGE 1 OF 1

DATE Jun 21st 2006

DESIGN RFPC

RF-LAMBDA RFPC

CAD MODEL REVISION 11

ASSEMBLY REVISION VS5DS

ASSEMBLY NAME RFLVR05

DRAWING NUMBER D05-1

www.rflambda.com

RF-LAMBDA

RFWT42C
WAVEGUIDE
TERMINATION

SIZE LT SHEETS 1 OF 1