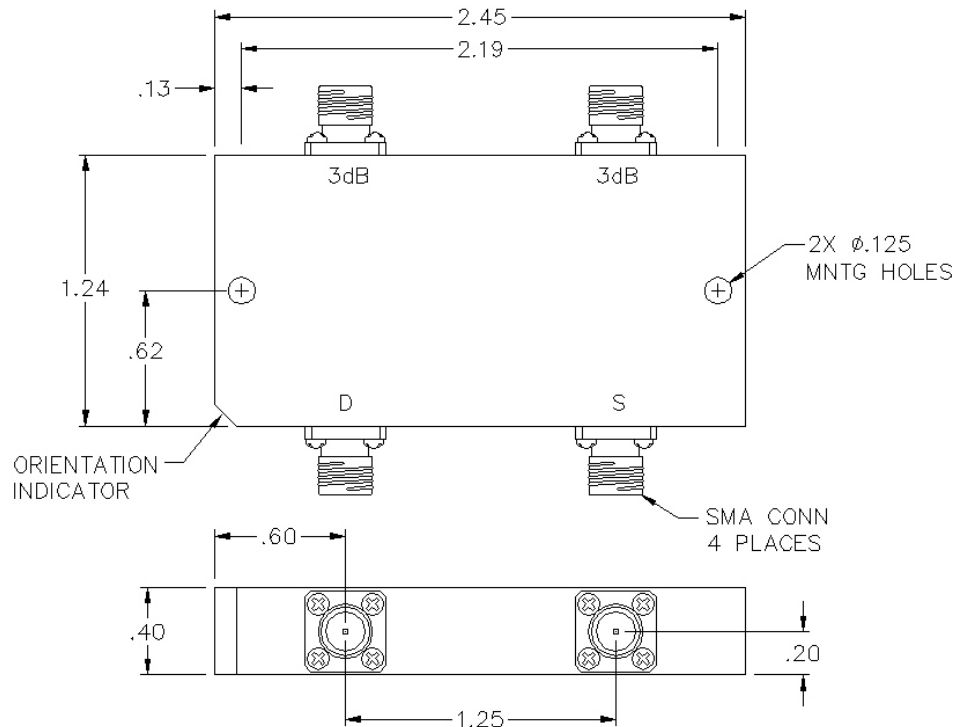


# JSO-02-465/1S

## 4 PORT 3 DB SMA 180° HYBRID COUPLER



## SPECIFICATIONS

Name:	JSO-02-465/1S
Frequency Range:	2-4 GHz
Insertion Loss:	0.6 dB max.
Isolation A-B:	20 dB min.
Power Rating:	80 watts max.
Amplitude Balance:	±0.5 dB max.
Phase Balance:	±10° max.
VSWR:	1.60:1 max.
Connector Type:	SMA

Dimensions are in inches. Decimal tolerance: 2 Place: ± .02, 3 Place: ± .010  
All specifications are subject to change without notice at any time. Rev: 190326

www.pulsarmicrowave.com · 48 Industrial St West, Clifton NJ 07012 · Tel: 973-779-6262 · Fax: 973-779-2727 · sales@pulsarmicrowave.com

**PULSAR**  
MICROWAVE CORPORATION