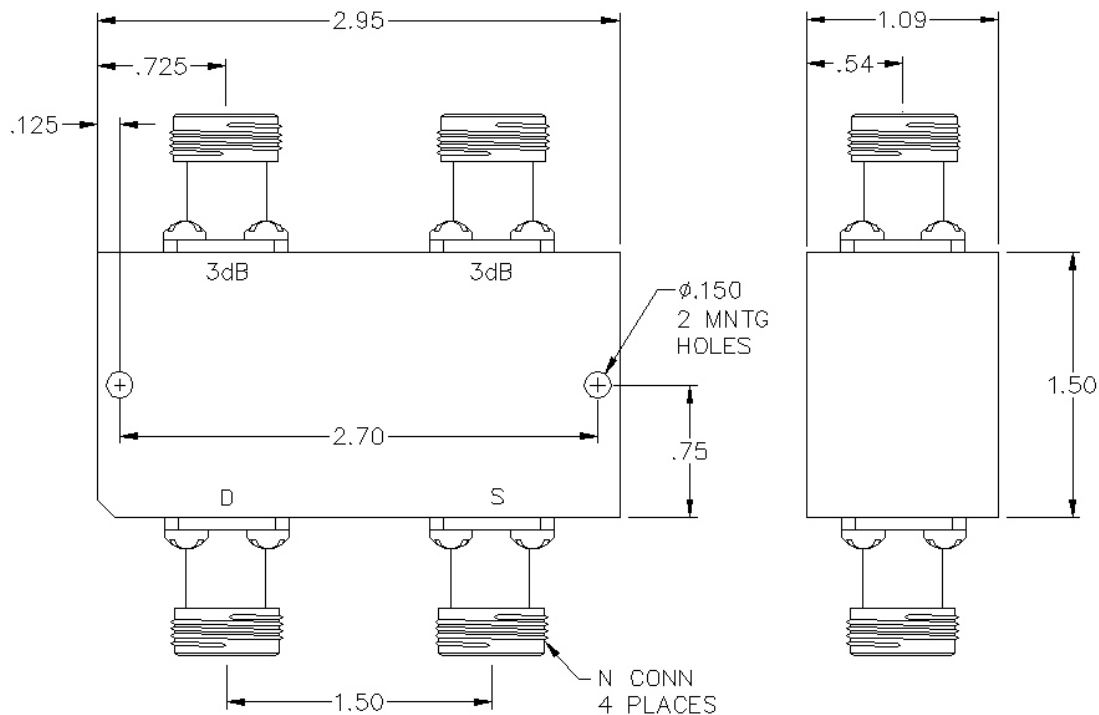


# JSF-08-465-3N

## 4 PORT 3 DB TYPE N 180° HYBRID COUPLER



## SPECIFICATIONS

Name:	JSF-08-465-3N
Frequency Range:	1.03-1.09 GHz
Insertion Loss:	0.3 dB max.
Isolation A-B:	20 dB min.
Power Rating:	50 watts max.
Amplitude Balance:	±0.4 dB max.
Phase Balance:	±3° max.
VSWR:	1.30:1 max.
Connector Type:	N

Dimensions are in inches. Decimal tolerance: 2 Place: ± .02, 3 Place: ± .010  
All specifications are subject to change without notice at any time. Rev: 190326

www.pulsarmicrowave.com · 48 Industrial St West, Clifton NJ 07012 · Tel: 973-779-6262 · Fax: 973-779-2727 · sales@pulsarmicrowave.com

**PULSAR**  
MICROWAVE CORPORATION