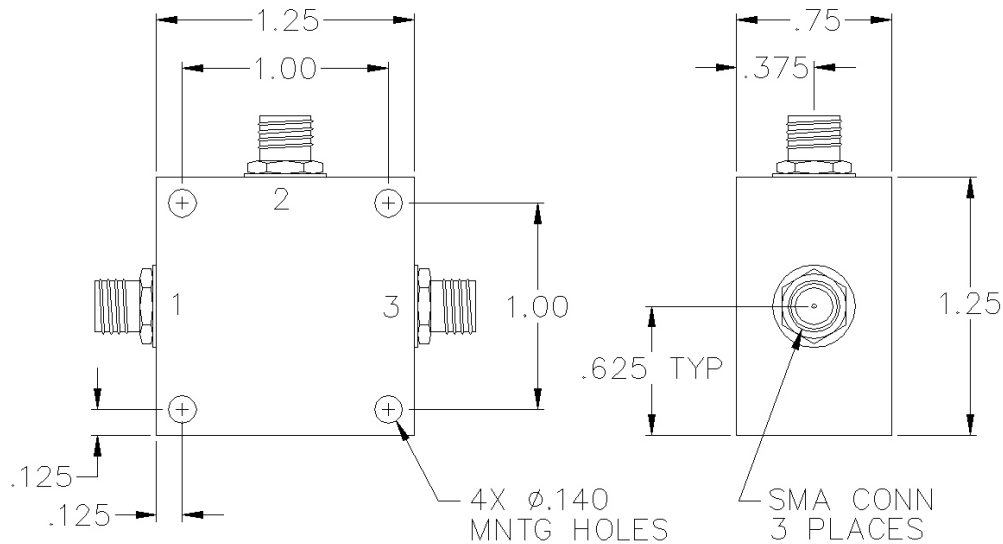
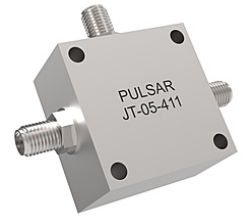


# JT-05-411

## 3 PORT 3 DB SMA 180° HYBRID COUPLER



### SPECIFICATIONS

Name:	JT-05-411
Frequency Range:	5-400 MHz
Insertion Loss:	1.5 dB max.
Isolation A-B:	20 dB min.
Input Power:	1 watts max.
Amplitude Balance:	0.3 dB max.
Phase Balance:	4° max.
VSWR:	1.50:1 max.
Package Type:	SMA

### PORT CONFIGURATION

Delta:	2
A (0°):	1
B (180°):	3
Ground:	Housing

Amplitude balance is defined by input Sum or Delta to output A & B.  
SMA female connectors standard, also available with BNC, TNC, F, and N connectors.