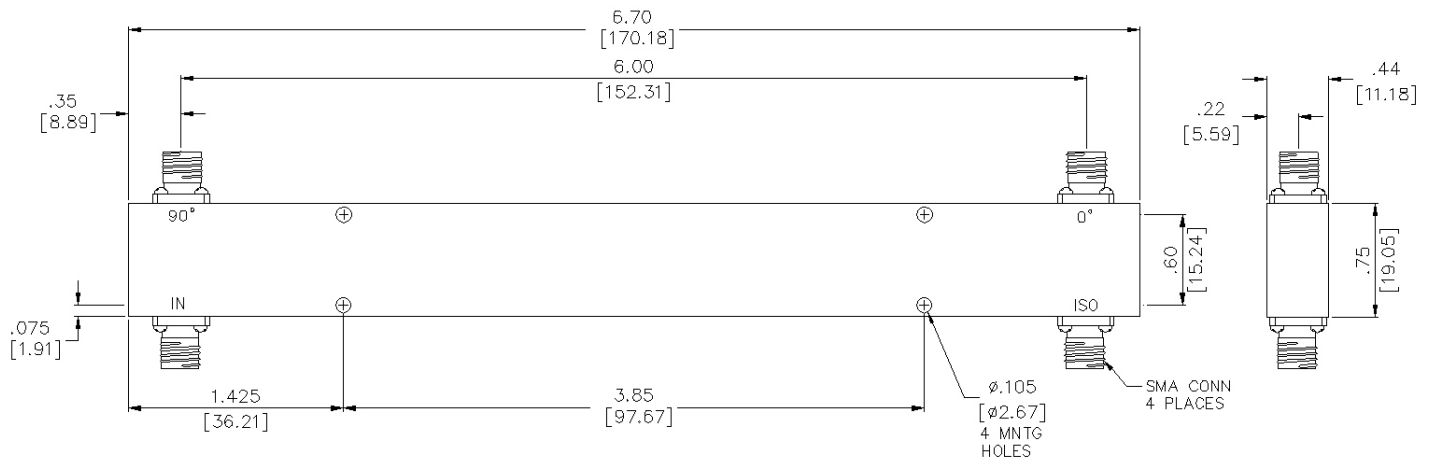


# QS4-08-464/5S

## 3 DB SMA 90° HYBRID COUPLER



## SPECIFICATIONS

Name:	QS4-08-464/5S
Bandwidth:	4.3:1
Frequency Range:	0.6-2.6 GHz
Coupling Loss:	3.4 $\pm$ 0.5 dB max.
Isolation:	20 dB min.
Amplitude Balance:	1.4 dB max.
Phase Balance:	4° max.
VSWR:	1.30:1 max.
Package Type:	SMA

Dimensions are in inches. Decimal tolerance: 2 Place:  $\pm$  .02, 3 Place:  $\pm$  .010  
All specifications are subject to change without notice at any time. Rev: 190326

www.pulsarmicrowave.com · 48 Industrial St West, Clifton NJ 07012 · Tel: 973-779-6262 · Fax: 973-779-2727 · sales@pulsarmicrowave.com

**PULSAR**  
MICROWAVE CORPORATION