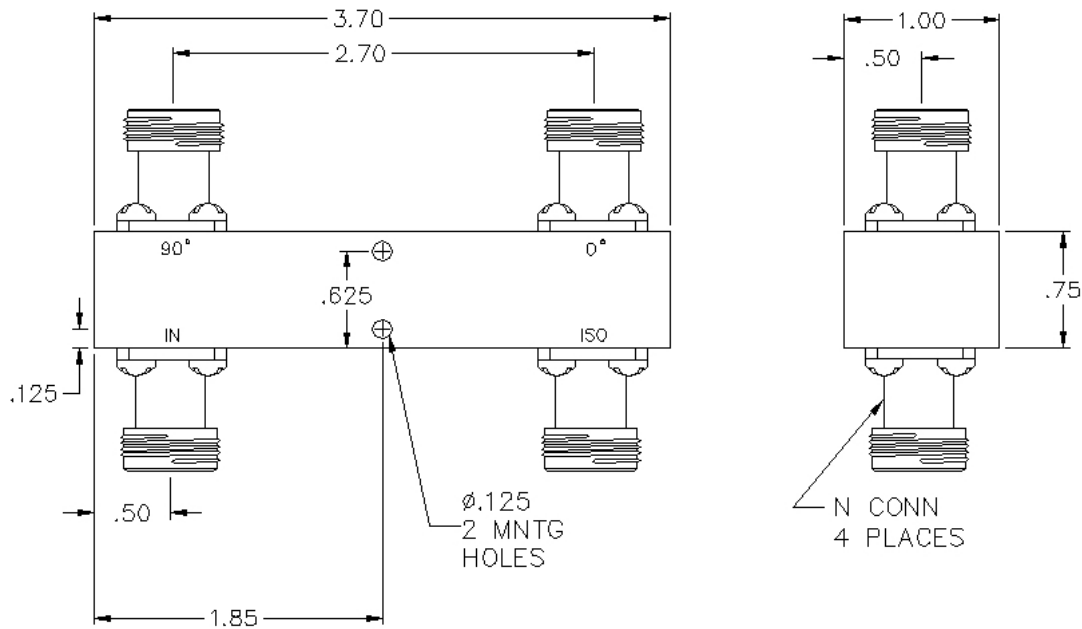
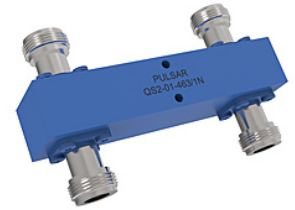


QS2-01-463/1N

3 DB TYPE N 90° HYBRID COUPLER



SPECIFICATIONS

Name:	QS2-01-463/1N
Bandwidth:	2:1
Frequency Range:	0.5-1 GHz
Coupling Loss:	3.2 ± 0.3 dB max.
Isolation:	25 dB min.
Amplitude Balance:	1.0 dB max.
Phase Balance:	3° max.
VSWR:	1.20:1 max.
Package Type:	N

Dimensions are in inches. Decimal tolerance: 2 Place: ± .02, 3 Place: ± .010
All specifications are subject to change without notice at any time. Rev: 190404

www.pulsarmicrowave.com · 48 Industrial St West, Clifton NJ 07012 · Tel: 973-779-6262 · Fax: 973-779-2727 · sales@pulsarmicrowave.com

PULSAR
MICROWAVE CORPORATION